

FEATURES

- PROVIDES FAST AND EASY PERFORMANCE TESTING FOR THE ADS1217
- SEPARATE ANALOG AND DIGITAL POWER
- PC PRINTER PORT CONTROL
- WINDOWS® 95, 98 SOFTWARE

Windows is a registered trademark of Microsoft.

DESCRIPTION

The ADS1217EVM evaluation module is designed for ease of use when evaluating the high resolution Analog-to-Digital Converter ADS1217. The ADS1217 offers 24-bits no-missing-codes performance. It has eight input channels that can be configured as up to eight differential channels. The Multiplexer is followed by a Programmable Gain Amplifier (PGA) with selectable gains of up to 128.

Hardware options include user defined clock frequency, internal or external reference, and input biasing.

All of the features and functionality of the ADS1217 can be exercised using the pull-down menus available from the ADS1217EVM software.



Please be aware that an important notice concerning availability, standard warranty, and use in critical applications of Texas Instruments semiconductor products and disclaimers thereto appears at the end of this data sheet.

INITIAL CONFIGURATION

The ADS1217EVM is designed to be operational without any user configuration except for connecting the power supplies and communications cable to the PC printer port. To use the internal reference voltage, jumpers T1 and T2 should be installed.

POWER SUPPLY

The analog and digital supplies should be connected together at the power supply. That means that a pair of wires should go from V_{CC} and AGND to the power supply and a separate pair of wires should go from V_{DD} and DGND to the same +5V power supply.

VOLTAGE REFERENCE

With jumpers T1 and T2 installed, the ADS1217 evaluation module will use the internal reference. These jumpers can be replaced and connections made to the pins to use an external reference.

CLOCK

A 2.4576MHz crystal is connected to the XIN and XOUT pins to provide a convenient frequency for 60Hz rejection.

PC BOARD LAYOUT

The ADS1217EVM evaluation module consists of a two-layer PC board. To achieve the highest level of performance, surface-mount components are used wherever possible. This reduces the trace length and minimizes the effects of parasitic capacitance and inductance. The evaluation module has a divided ground with all the analog signals over one portion and the digital signals in the other. Keep in mind that this approach may not necessarily yield optimum performance results when designing the ADS1217 into different individual applications. In any case, thoroughly bypassing the power supply and reference pins of the converter is strongly recommended.

The breadboard area is provided so that input filters can be added. As shipped, the board includes an R-C filter (49.9 Ω and 47pF) on each input with a 0.1 μ F differential capacitor between adjacent channels.

WINDOWS SOFTWARE

The ADS1217 uses registers and 1-byte opcodes to control its operation. The evaluation software provides a convenient method to issue the commands and receive the results. It also can display the results of acquired data, as shown in Figure 1 and perform a frequency analysis, as shown in Figure 2.

The program is organized with pull-down menus as follows:

File

- Save Data
- Save FFT Data
- Print Data
- Exit

Configuration

- Configure Device
- Select Input Channel
- Set IDACs/PGA/ V_{REF}

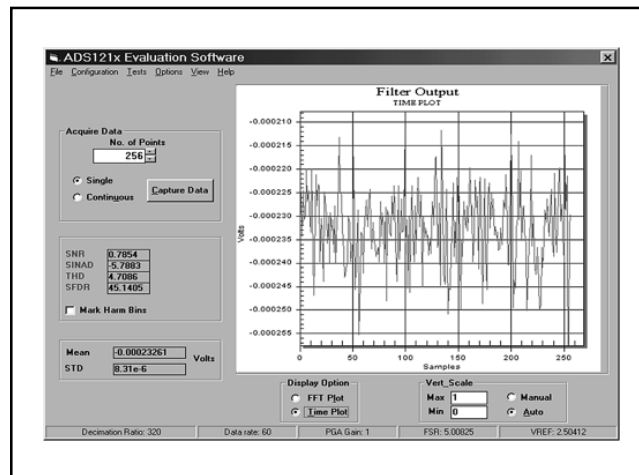


FIGURE 1. Time Plot.

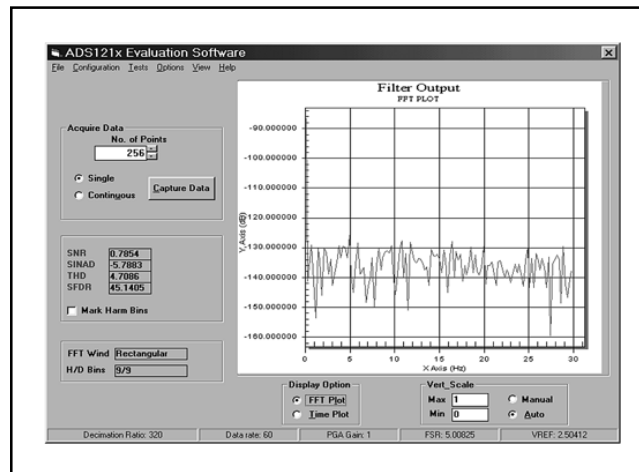


FIGURE 2. FFT Frequency Plot.

Tests

- Opcode Test
- Noise Test
- Memory R/W Test

Options

- Data List Format
 - Voltage
 - Raw Hex
 - Raw Decimal
- Set FFT Window
 - Rectangular
 - Hamming
 - Blackman
 - Blackman Harris
 - Continuous 5th Derivative
- FFT Harmonic Bins
 - Number of Harmonic Bins
 - Number of DC Bins

View

- Display Data List

Help

- About ADS1217 Demo SW

SAVE DATA

The Save Data List shows the individual data values as well as the mean and standard deviation of the data.

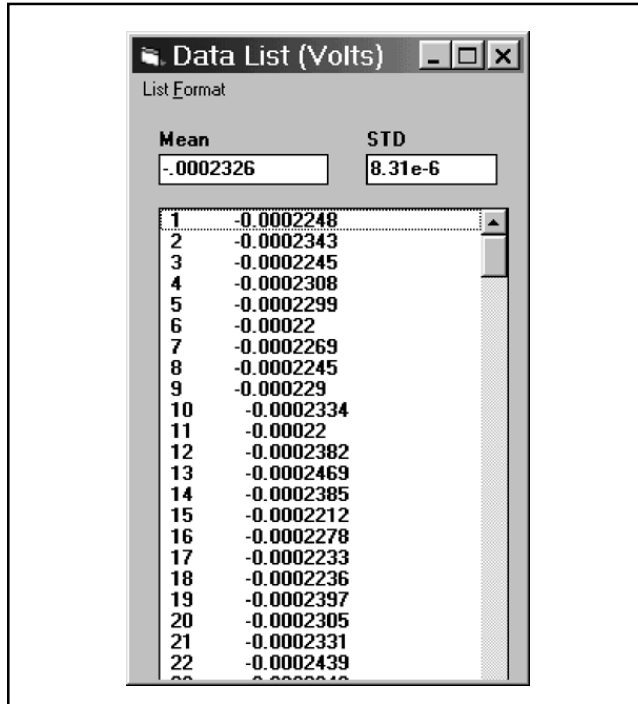


FIGURE 3. Data List.

CONFIGURATION

The Configure Digital Filter opens a window that provides many options, as shown in Figure 4.

Filter Decimation Ratio

The Filter Decimation Ratio box allows you to adjust the decimation ratio with the scroll bar or by entering the value in the box at the bottom. Additionally, as you change the decimation ratio, you can observe the resulting data rate.

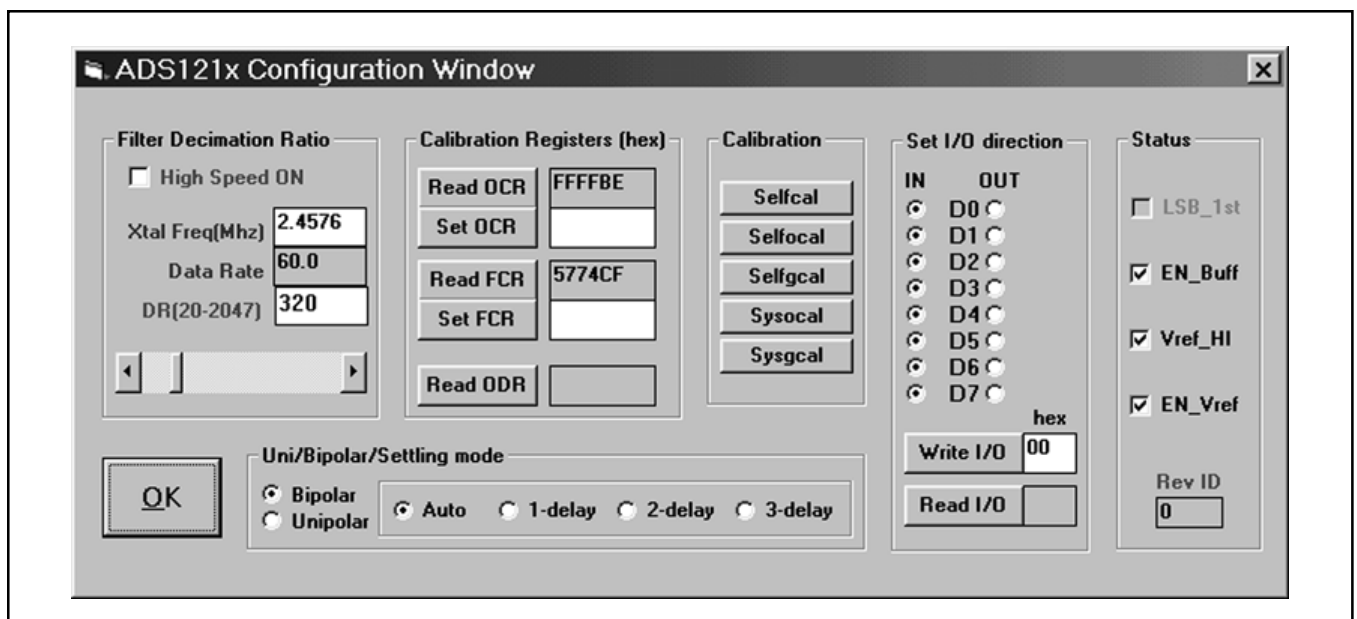


FIGURE 4. FFT Frequency Plot.

Calibration Registers

The current values of the Offset, Full-Scale Output Data registers can be read and displayed. Additionally, these values can be changed by entering a new HEX value in the field and pushing the set button.

Calibration

Five types of calibration can be performed. When the button is pushed, the ADS1217 performs the calibration and then reads back and displays the results in the calibration registers. The five types of calibration are:

- 1) **Selfcal**—Both Offset and Gain Calibration
- 2) **Selfocal**—Only Offset Calibration
- 3) **Selfgcal**—Only Gain Calibration
- 4) **Sysocal**—Offset Calibration, Input = 0V
- 5) **Sysgcal**—Gain Calibration, Input = V_{REF}

Set I/O Direction

The eight pins of I/O can be individually set for output or input. The output pins will be set to the HEX value entered in the "Write I/O" field when the "Write I/O" button is selected. The value of all pins will be displayed in the box next to the "Read I/O" button when it is selected.

Status

The various control bits can be set and monitored in the Status box. Additionally the revision ID of the ADS1217 will be displayed. The Status bits and their function are shown in Table I.

	0	1
LSB_1st	Send MSB First	Send LSB First
EN_Buff	No Input Buffer	Input Buffer Enabled
V_{REF_HI}	$V_{REF} = 1.25V$	$V_{REF} = 2.5V$
EN_VREF	V_{REF} OFF	V_{REF} ON

TABLE I. Control Bits.

Unipolar/Bipolar

The results of the unipolar/bipolar selection are shown in Table II.

	ANALOG INPUT	DIGITAL OUTPUT
Bipolar	+FSR Zero -FSR	0x7FFFFFFF 0x000000 0x800000
Unipolar	+FSR Zero -FSR	0xFFFFFFFF 0x000000 0x000000

TABLE II. Unipolar/Bipolar Selection Results.

Settling Mode

Three Sinc filters can be selected. When the input changes the fast settling filter settles in one data output interval, Sinc² settles in two periods, and Sinc³ takes three periods to fully settle. However, the Sinc³ filter has the highest resolution. The desired filter can be selected. Auto mode selects the fast settling filter when the input changes, then it changes to the Sinc² filter for the third period, and on the fourth data out period it will use the output of the Sinc³ filter. This gives fast settling when the input channel changes, but the same high resolution results after the necessary number of conversion periods.

OK

Selecting OK will save the selected setup.

SELECT INPUT CHANNELS

Figure 5 gives a graphical method to select the multiplexer channel. This also shows the full flexibility of the ADS1217 multiplexer which allows any input to be selected as the positive or negative input for a measurement. The mouse selects which switch to close. Additionally, the internal diode can be connected which uses IDAC1 as the current source. By measuring the voltage on the diode, a temperature measurement can be made.

Calibrate Internal Temp Sensor

The Calibrate Temp button opens the Internal Temp Sensor Calibration window for calibration of internal temperature diode, as shown in Figure 6. This allows you to force the temperature readout to match the temperature you enter. This is not intended to give a high-accuracy temperature readout, but will give a reading that is reasonable for a single diode voltage measurement.

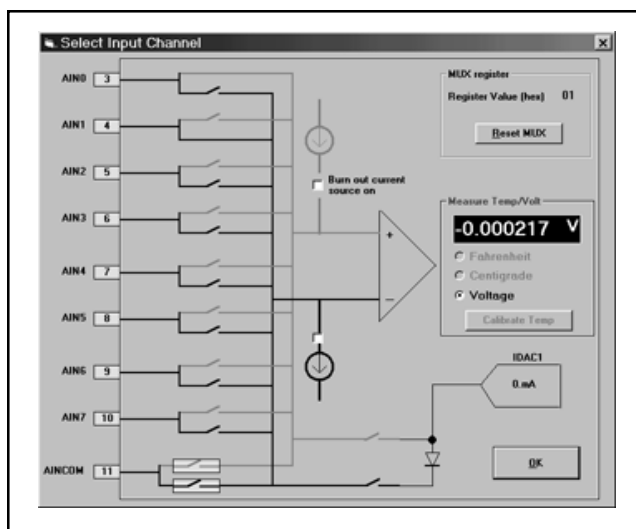


FIGURE 5. Input Multiplexer.

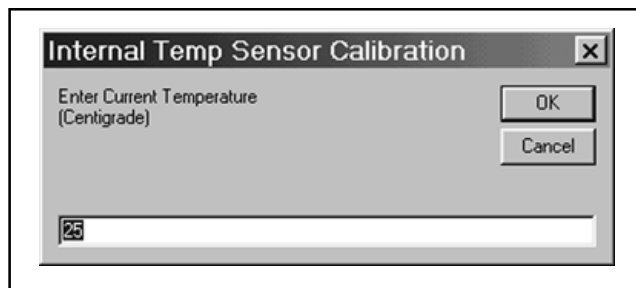


FIGURE 6. Temperature Calibration.

Set IDACs/PGA/V_{REF}

This screen provides the means to observe the interaction of the IDAC settings, R_{EXT} and V_{REF}. Additionally, the PGA can be set from this screen.

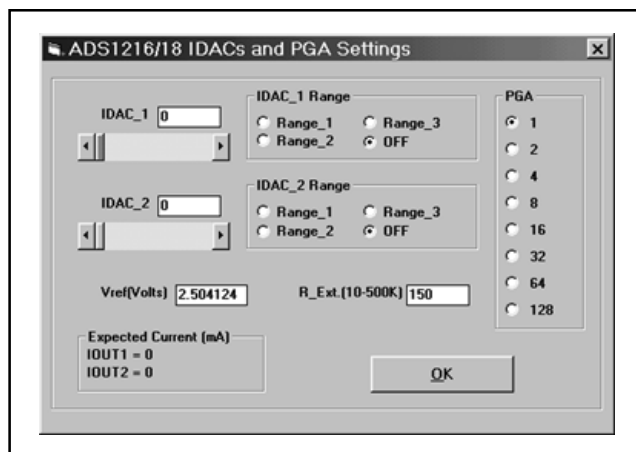


FIGURE 7. PGA Settings.

TEST SCREENS

Opcode Test

This screen in Figure 8 allows all the opcodes to be tested and the results observed.

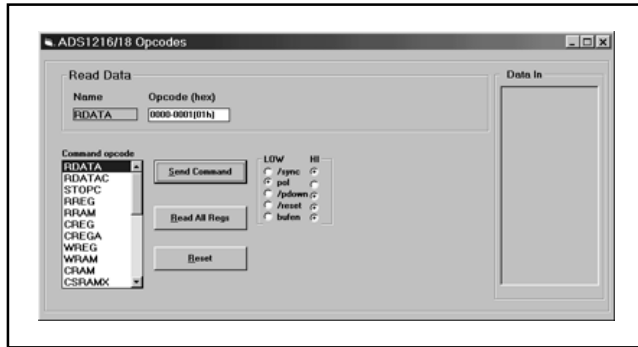


FIGURE 8. Opcode Control.

One convenient way to test the communications and operations of the ADS1217 Demo software is to go to this screen, select “Reset”, and then “Read all Regs”. You should end up with a register dump that looks like Figure 9.

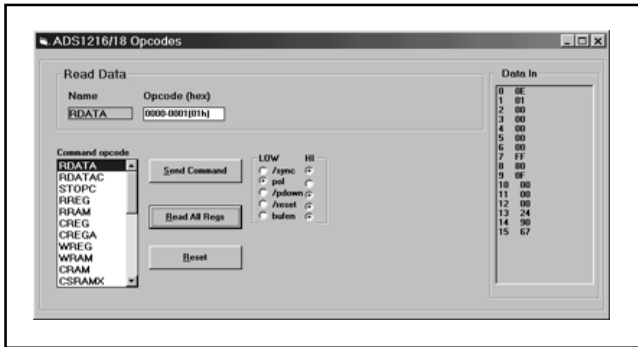


FIGURE 9. Reset Condition.

You can observe that the reset state of the registers are: 0E, 01, 00, 00, 00, 00, 00, FF, 80, 0F, 00, 00, 00, 24, 90, and 67.

This screen also shows the state of the digital control signals. Any opcode can be entered and tested to observe the results.

RAM R/W Test

The test screen in Figure 10 provides tools for testing RAM and Flash memory. Various simple operations have been assigned to a button. Additionally, a full RAM test will be executed with the “Test Ram” button. This clears RAM, generates random data, writes to the RAM, and verifies that the contents match the random data.

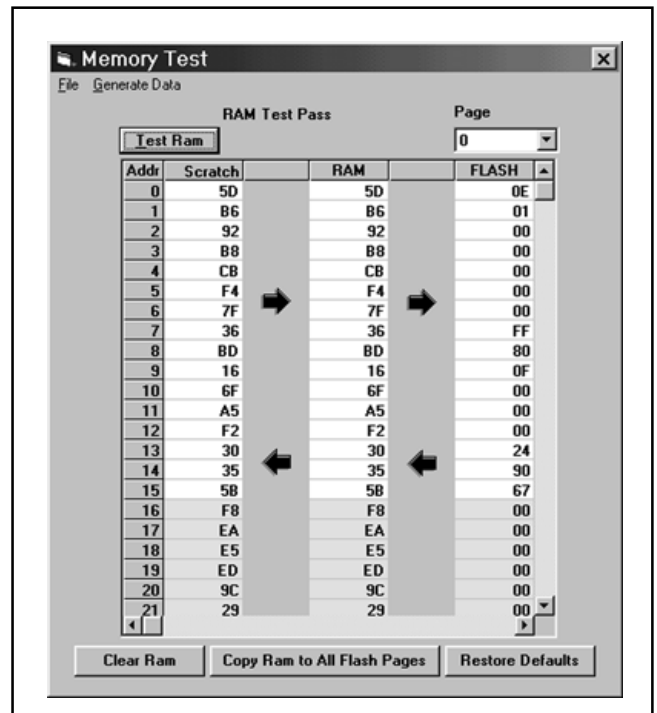


FIGURE 10. Ram Test.

Noise Test

This test provides an automated means to verify the performance of the ADS1217 across various decimation ratio values and PGA settings, and averages the results. With all the options selected, this test can take a long time to complete. The results are displayed in a tabular format which shows the PGA settings, Decimation Rate, Average Output, Standard Deviation, and Effective number of bits, as shown in Figure 11.

The “File” menu selection gives you the option to save your data. All data is saved in a comma delimited format so that it can be imported into a spreadsheet for further analysis.

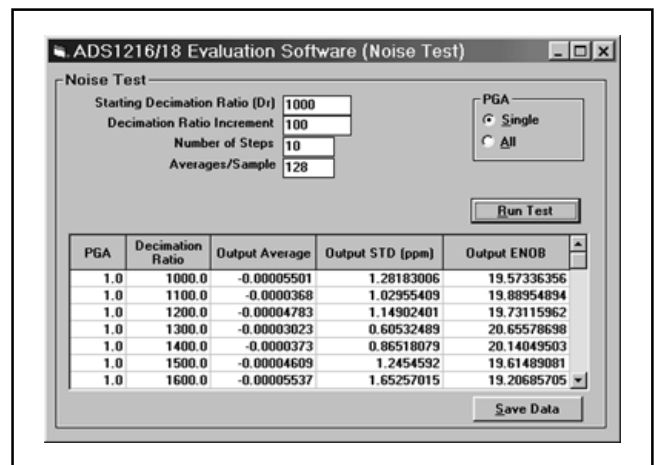


FIGURE 11. Noise Test Results.

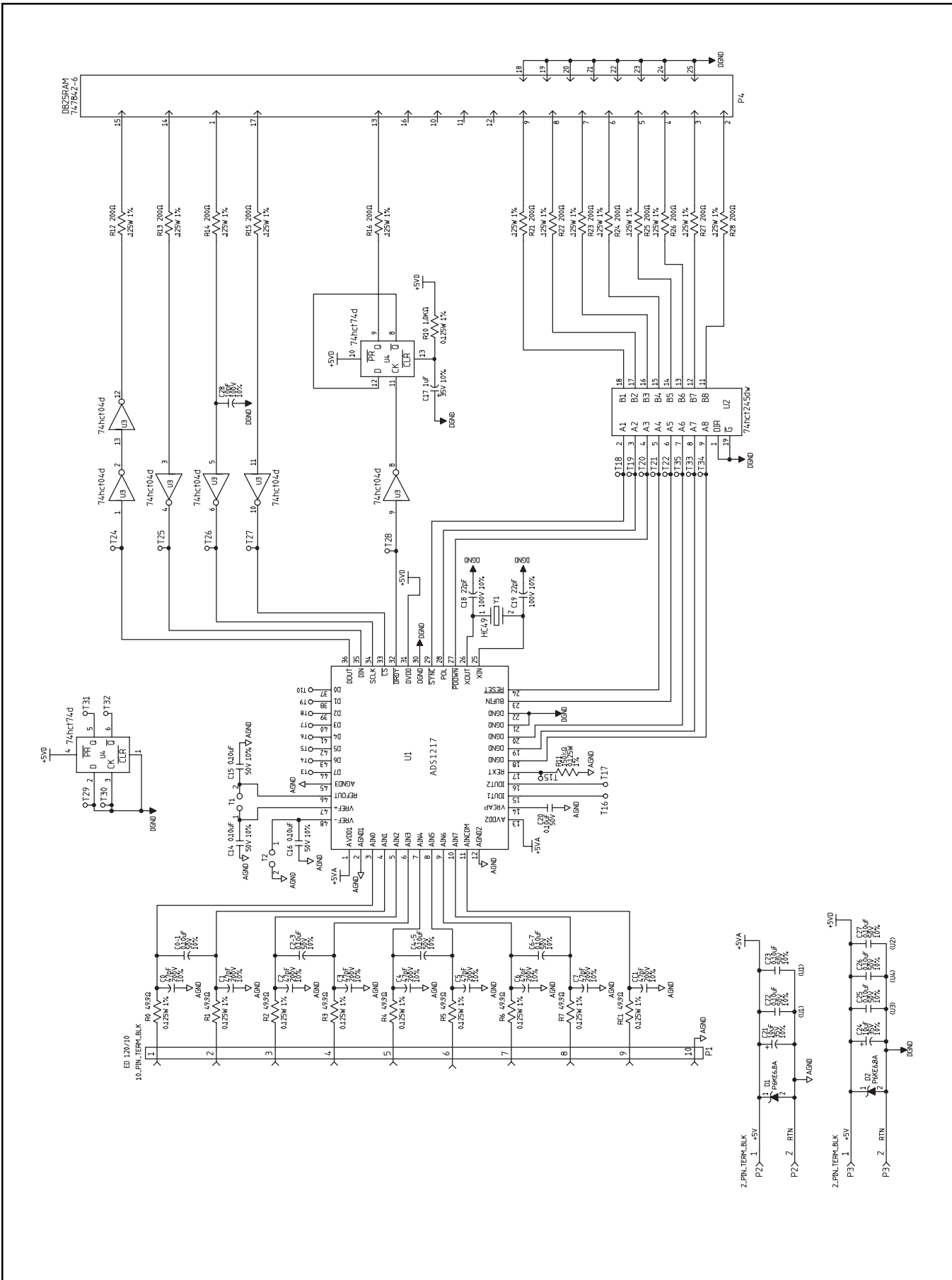


FIGURE 12. ADS1217EVM Schematic.

COMPONENT LIST

PART NUMBER	DESCRIPTION	REF. DES.	QTY	VENDOR PART NUMBER	MANUFACTURER
ADS1217	Analog-to-Digital Converter, 24-Bit	U1	1	ADS1217	Texas Instruments
CK05BX104K	Capacitor, 0.10μF, 50V, 10%, Ceramic X7R	C0-1, C2-3, C4-5, C6-7	4	CK05BX104K	Kemet
CK05BX470K	Capacitor, 47pF, 200V, 10%, Ceramic X7R	C0, C1, C2, C3, C4, C5 C6, C7, CC1	9	CK05BX470K	Kemet
CRCW12061001F	Resistor, 1.0kΩ, 0.125W, 1%, Chip-Thick-Film	R10	1	CRCW12061001F	Dale
CRCW12062000F	Resistor, 200Ω, 0.125W, 1%, Chip-Thick-Film	R12, R13, R14, R15, R16 R21, R22, R23, R24, R25 R26, R27, R28	13	CRCW12062000F	Dale
C1206C100K1GAC	Capacitor, 10pF, 100V, 10%, Chip-Ceramic COG	C28	1	C1206C100K1GAC	Kemet
C1206C104K5RAC	Capacitor, 0.10μF, 50V, 10%, Chip-Ceramic X7R	C14, C15, C16, C20, C22 C23, C25, C26, C27	9	C1206C104K5RAC	Kemet
C1206C220K1GAC	Capacitor, 22pF, 100V, 10%, Chip-Ceramic COG	C18, C19	2	C1206C220K1GAC	Kemet
ED 120/10	Terminal Block, 10-Pin	P1	1	ED 120/10	On-Shore Technology
ED 300/2	Terminal Block, 2-Pin, 5MM Pitch	P2, P3	2	ED 300/2	
HC49	Crystal, 2.4576MHz	Y1	1	HC49	CTS
P6KE6.8A	Diode, Zener 6.8V	D1, D2	2	P6KE6.8A	
REG1117-5	Voltage Regulator, +5V	Q1	1	REG1117-5	Texas Instruments
RN55C49R9F	Resistor, 49.9Ω, 0.125W, 1%, Metal-Film	R0, R1, R2, R3, R4, R5 R6, R7, RC1	9	RN55C49R9F	Dale
150KXBK-ND	Resistor, 150kΩ 0.25W, 1% Metal Film	R11	1	150KXBK-ND	Kemet
TSW-1-S01-06-S	Terminal, 1-Pin	T3, T4, T5, T6, T7, T8 T9, T10, T15, T16, T17 T18, T19, T20, T21, T22 T24, T25, T26, T27, T28 T29, T30, T31, T32, T33 T34, T35	28	TSW-1-S01-06-S	
TSW-102-07-L-S	Connector, 2-Pin, 0.1" Center, 0.025" Sq. Post	T1, T2, T36, T37	4	TSW-102-07-L-S	
T491B105K350AS	Capacitor, 1μF, 35V, 10%, Tantalum Chip-Molded	C17	1	T491B105K035AS	Kemet
T491D106K035AS	Capacitor, 10μF, 35V, 10%, Tantalum Chip-Molded	C21, C24	2	T491D106K035AS	Kemet
74HCT04D	IC, Inverter, Hex	U3	1	74HCT04D	
74HCT74D	IC, Flip Flop, Dual J-K with Clear & Preset	U4	1	74HCT74D	
74HCT245DW	IC, Bus Transceiver, Octal, 3-State Outputs	U2	1	74HCT245DW	
747842-6	Connector, 25-Pin, Right-Angle, Male, D-sub	P4	1	747842-6	AMP

EVM IMPORTANT NOTICE

Texas Instruments (TI) provides the enclosed product(s) under the following conditions:

This evaluation kit being sold by TI is intended for use for **ENGINEERING DEVELOPMENT OR EVALUATION PURPOSES ONLY** and is not considered by TI to be fit for commercial use. As such, the goods being provided may not be complete in terms of required design-, marketing-, and/or manufacturing-related protective considerations, including product safety measures typically found in the end product incorporating the goods. As a prototype, this product does not fall within the scope of the European Union directive on electromagnetic compatibility and therefore may not meet the technical requirements of the directive.

Should this evaluation kit not meet the specifications indicated in the EVM User's Guide, the kit may be returned within 30 days from the date of delivery for a full refund. **THE FOREGOING WARRANTY IS THE EXCLUSIVE WARRANTY MADE BY SELLER TO BUYER AND IS IN LIEU OF ALL OTHER WARRANTIES, EXPRESSED, IMPLIED, OR STATUTORY, INCLUDING ANY WARRANTY OF MERCHANTABILITY OR FITNESS FOR ANY PARTICULAR PURPOSE.**

The user assumes all responsibility and liability for proper and safe handling of the goods. Further, the user indemnifies TI from all claims arising from the handling or use of the goods. Please be aware that the products received may not be regulatory compliant or agency certified (FCC, UL, CE, etc.). Due to the open construction of the product, it is the user's responsibility to take any and all appropriate precautions with regard to electrostatic discharge.

EXCEPT TO THE EXTENT OF THE INDEMNITY SET FORTH ABOVE, NEITHER PARTY SHALL BE LIABLE TO THE OTHER FOR ANY INDIRECT, SPECIAL, INCIDENTAL, OR CONSEQUENTIAL DAMAGES.

TI currently deals with a variety of customers for products, and therefore our arrangement with the user **is not exclusive**.

TI assumes **no liability for applications assistance, customer product design, software performance, or infringement of patents or services described herein.**

Please read the EVM User's Guide and, specifically, the EVM Warnings and Restrictions notice in the EVM User's Guide prior to handling the product. This notice contains important safety information about temperatures and voltages. For further safety concerns, please contact the TI application engineer.

Persons handling the product must have electronics training and observe good laboratory practice standards.

No license is granted under any patent right or other intellectual property right of TI covering or relating to any machine, process, or combination in which such TI products or services might be or are used.

Mailing Address:

Texas Instruments
Post Office Box 655303
Dallas, Texas 75265

Copyright © 2002, Texas Instruments Incorporated

EVM WARNINGS AND RESTRICTIONS

It is important to operate this EVM within the input voltage range of 0V to 5V.

Exceeding the specified input range may cause unexpected operation and/or irreversible damage to the EVM. If there are questions concerning the input range, please contact a TI field representative prior to connecting the input power.

Applying loads outside of the specified output range may result in unintended operation and/or possible permanent damage to the EVM. Please consult the EVM User's Guide prior to connecting any load to the EVM output. If there is uncertainty as to the load specification, please contact a TI field representative.

During normal operation, some circuit components may have case temperatures greater than 50°C. The EVM is designed to operate properly with certain components above 50°C as long as the input and output ranges are maintained. These components include but are not limited to linear regulators, switching transistors, pass transistors, and current sense resistors. These types of devices can be identified using the EVM schematic located in the EVM User's Guide. When placing measurement probes near these devices during operation, please be aware that these devices may be very warm to the touch.

Mailing Address:

Texas Instruments
Post Office Box 655303
Dallas, Texas 75265

Copyright © 2002, Texas Instruments Incorporated

IMPORTANT NOTICE

Texas Instruments Incorporated and its subsidiaries (TI) reserve the right to make corrections, modifications, enhancements, improvements, and other changes to its products and services at any time and to discontinue any product or service without notice. Customers should obtain the latest relevant information before placing orders and should verify that such information is current and complete. All products are sold subject to TI's terms and conditions of sale supplied at the time of order acknowledgment.

TI warrants performance of its hardware products to the specifications applicable at the time of sale in accordance with TI's standard warranty. Testing and other quality control techniques are used to the extent TI deems necessary to support this warranty. Except where mandated by government requirements, testing of all parameters of each product is not necessarily performed.

TI assumes no liability for applications assistance or customer product design. Customers are responsible for their products and applications using TI components. To minimize the risks associated with customer products and applications, customers should provide adequate design and operating safeguards.

TI does not warrant or represent that any license, either express or implied, is granted under any TI patent right, copyright, mask work right, or other TI intellectual property right relating to any combination, machine, or process in which TI products or services are used. Information published by TI regarding third-party products or services does not constitute a license from TI to use such products or services or a warranty or endorsement thereof. Use of such information may require a license from a third party under the patents or other intellectual property of the third party, or a license from TI under the patents or other intellectual property of TI.

Reproduction of information in TI data books or data sheets is permissible only if reproduction is without alteration and is accompanied by all associated warranties, conditions, limitations, and notices. Reproduction of this information with alteration is an unfair and deceptive business practice. TI is not responsible or liable for such altered documentation.

Resale of TI products or services with statements different from or beyond the parameters stated by TI for that product or service voids all express and any implied warranties for the associated TI product or service and is an unfair and deceptive business practice. TI is not responsible or liable for any such statements.

Mailing Address:

Texas Instruments
Post Office Box 655303
Dallas, Texas 75265